




fmachine

G I G O L O



ORIGINAL INSTRUCTIONS





Thank you for purchasing the F-Machine Gigolo. **'F'** stands for **Fun** (honestly) and that is exactly what the F-Machine was designed for, FUN.

We have taken the utmost care in designing your F-Machine and we hope that it will service you and your friends for many years to come. Please read this entire instruction manual and all other accompanying documents carefully before using the product and keep it as a reference for future use. If you handover the product to someone else, give the instruction manual as well. Follow all warnings and information in the instruction manual.

Should you have any issues with your F-Machine or require spare parts, please contact your nearest F-Machine retailer or email us directly at sales@f-machine.com.

Instruction Manual Contents

Explanation of Symbols Used	4
General Safety Instructions	5
Product Overview and Description of Parts	10
Assembly Instructions	12
Fault Finding Procedures	22
Additional Information	24
Limited Warranty	25

Explanation of Symbols Used

Throughout this instruction manual, the following symbols are used:



Caution / Warning



To reduce the risk of injury, the user must read the instruction manual



Warning! Danger of moving or rotating parts.
Keep hands and body parts away from external moving parts, risk of injury



Switch off product and disconnect it from the power source before assembly, cleaning, making adjustments, maintenance, storage and transportation



Warning! Danger of electric shock



Warning! Danger of hot surfaces and burning/scalding



Do not expose the product to rain or wet conditions (moisture/liquids)



Waste electrical products should not be disposed of with your household waste. Please recycle where facilities exist. Check with your Local Authority for recycling advice



Indicates Bluetooth control capability (depending on model purchased)



The product complies with the applicable European directives and an evaluation method of conformity with these directives was done



The product complies with the applicable UK directives and an evaluation method of conformity with these directives was done

General Safety Instructions



WARNING! Read all safety warnings, instructions, illustrations and specifications provided with this product. Failure to follow all the instructions may result in electric shock, fire and/or serious injury. Save all warnings and instructions for future reference.

Intended Use

- This product is intended for domestic use only. It is not intended for use related to any commercial activities.
- It is only to be used by persons aged 18+. Persons with reduced physical, sensory or mental abilities or those with lack of experience and knowledge of the safe use of the product should not use it.

Operating Area Safety

- Keep the operating area clean and well lit. De-clutter the operating space and avoid dark areas.
- Do not operate the F-Machine in the presence of flammable liquids, gases or dust as these are potentially explosive atmospheres.

- Always place the F-Machine on a firm, flat and horizontal surface during operation. Never operate the F-Machine on a raised/unstable surface (such as a table, desk, chair or other item of furniture) or where there is insufficient flat space available or where it could be knocked over and cause injury or damage to property. Never place the F-Machine on soft furnishings and ensure that any moving parts never come into contact with loose items such as bed linen or furniture covers etc.
- Do not operate the F-Machine in a confined area.

Electrical Safety

- Power plugs must match the outlet. Never modify the plug in any way.

- If using a travel adapter make sure it is the correct one for your region and has an earth continuity connection.
- Always ensure the F-Machine is connected to a power socket that has an earth connection, on a fused circuit, that is protected by a residual current device (RCD) and installed by a qualified technician.
- Always make sure the power socket the product is connected to is easily accessible.
- Avoid your body contacting grounded or earthed surfaces, such as radiators, fridges, electrical appliances or pipes, as this can increase the risk of an electric shock.
- The F-Machine is not waterproof. Do not expose the F-Machine to wet conditions or rain. Liquids entering the F-Machine body or the power supply will increase the risk of electrical shock, can damage the product and potentially cause a fire or electrical fault.
- Do not abuse the power cord. Never use any of the cords to carry, pull on or move the F-Machine. Keep the power and control cords away

from sharp edges and moving parts. Do not tread on cords/plugs and regularly inspect them for integrity along the length and at the connections. If any damage is found, the affected components should be replaced with new original parts.

- Do not operate the F-Machine outdoors.
- Do not modify any of the components of the F-Machine. Only use the standard parts that are supplied with the original product or F-Machine accessories.
- Do not use an F-Machine with a defective switch or controller. Always follow the start-up procedure detailed in this manual and conduct a trial run before using the F-Machine.

Personal Safety

- Stay alert, pay attention to what you are doing and use common sense when operating the F-Machine.
- Never use the F-Machine when you are tired or under the influence of alcohol, recreational drugs or medications. Doing so may result in injury.

- Observe all the instructions in this manual regarding the start-up procedures. Ensure the switch on the head unit is in the OFF position before connecting to the power source. Do not carry or move the F-Machine without first disconnecting it from the power source.
- Ensure that only one operator is using the controls of the F-Machine at any one time. Do not activate the controls whilst either yourself or another person is adjusting the F-Machine mechanism. Before making any adjustments to the F-Machine (including changing the leg height or thruster rod) always switch off the power source before touching the mechanisms.
- Always remove any tools that have been used for adjustment or maintenance prior to using the F-Machine. For instance, a wrench or key left attached to a moving part may fly off, cause jamming and/or cause an injury.
- Do not overreach. Keep a proper footing and/or appropriate body position and balance at all times.
- Wear appropriate attire. Do not wear loose apparel or jewellery that may be caught in any moving parts. Also be careful to keep long hair tied up and away from moving parts.
- Never use the F-Machine if your body is constrained in any way. Always be able to move freely whilst operating the F-Machine.
- Do not let familiarity gained from frequent use of the F-Machine allow you to become complacent and ignore the general safety principles outlined in this manual.
- Do not use the F-Machine when pregnant. If in any doubt, consult your doctor about any pre-existing medical conditions before using the F-Machine.
- Do not use this product if you have a cardiac issue or high blood pressure.
- Remove any genital piercings/ jewellery before using the F-Machine.
- An appropriate lubricant for the toy attachment material should be used where necessary.
- Do not use the toy on irritated or damaged skin.
- Do not share toys with other users as this may lead to infections and/or transmit diseases.

Use, Care and Maintenance

- Never deliberately jam the crank arm or the moving mechanism. Do not let anything touch the moving parts. Do not try to prevent the thruster rod from moving.
- Do not use excessively large or heavy toys/attachments with the F-Machine. Heavy objects on the end of the thruster rod (especially at longer strokes and higher motor speeds) can make the F-Machine unstable/vibrate. If this occurs, reduce the rotational speed of the motor and/or the thruster travel until the movement stops. Choosing a lighter/smaller toy will also help, as will lowering the head unit relative to the floor.
- Never leave the F-Machine running or powered on unattended.
- Never leave the F-Machine unattended where minors, pets or farm animals may come into contact with it.
- Do not let persons who are unfamiliar with the operation of the F-Machine or these instructions operate the F-Machine.
- Maintain the F-Machine in a clean and good order. With the power source disconnected, check over the F-Machine for damage and do not use it if any damage is found. Replace any damaged items with genuine replacement parts.
- If necessary, clean the mechanical parts of the F-Machine with a slightly damp cloth and dry them afterwards. Do not use any aggressive chemicals or solvents on the F-Machine.
- Keep handles and grasping surfaces dry, clean and free from oil and grease or other lubricants to allow for safe handling of the machine.
- Make sure all cables are kept away from moving parts and that they are laid out in such a way so as not to become entangled in the machinery.
- Never try to operate the F-Machine without first checking all bolts, nuts and connections are tight. Never attempt to run the F-Machine without first attaching the legs securely.
- Use only with the bases, brackets and stands specified by the manufacturer or sold along with the product.



sales@f-machine.com

Gigolo Box Contents

In your F-Machine box you should have the following:

- 1 x black fabric carry case with foam inserts for storing your machine
- 1 x head unit assembly with leg clamp
- 1 x T-piece leg
- 2 x curved legs with feet (left hand and right hand)
- 2 x bolts for leg assembly
- 1 x 110-240V power supply with mains supply lead
- 1 x mains power adapter (may vary depending on your region)
- 1 x remote control + 12 volt 23A (MN21) battery
- 1 x thruster rod
- 1 x quick release toy adapter
- 1 x 'barb' toy adapter
- 1 x backstop plate
- 1 x 8 inch toy made from silicone material
- 1 x tool bag with necessary tools for maintenance
- 1 x original instructions manual

Product Description & Overview

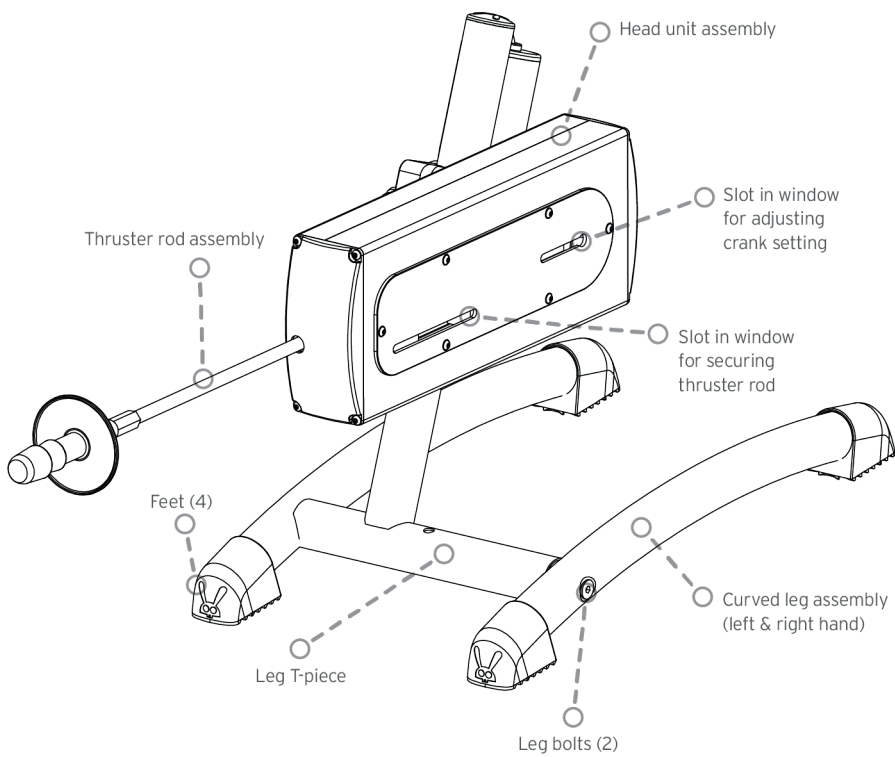
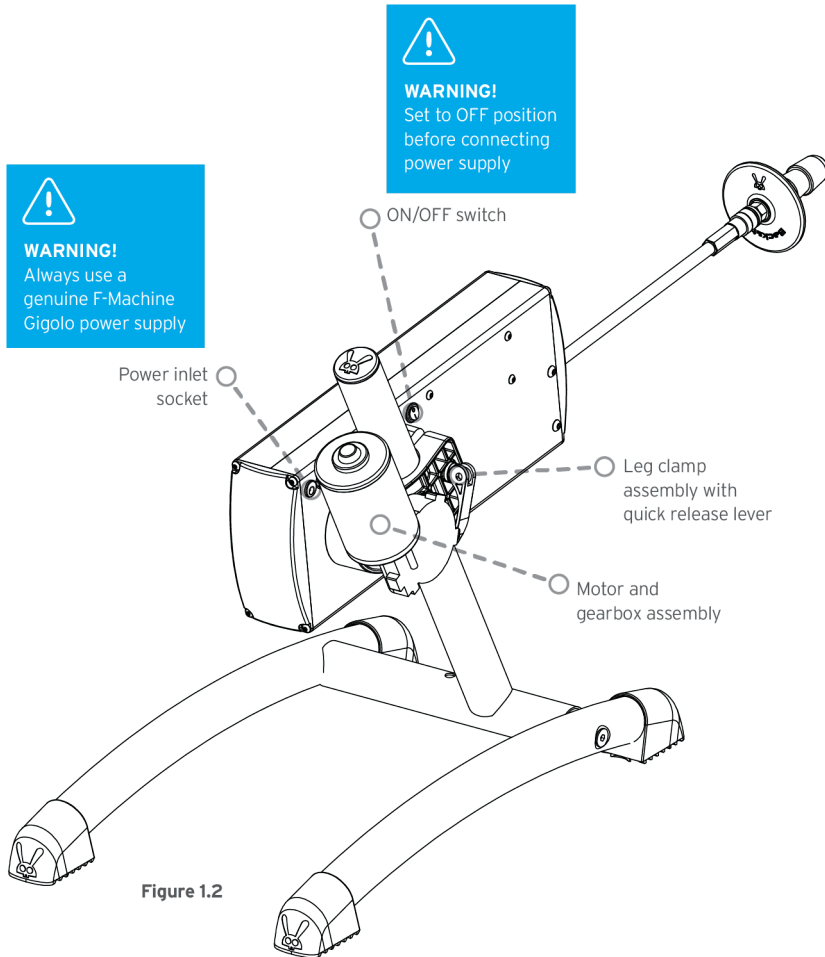


Figure 1.1



Assembly Instructions for the F-Machine Gigolo



Make sure you read the instructions carefully and understand them fully before you proceed. Assemble the machine according to the following instructions and check everything is tight before connecting the power supply to the machine, as the final step.

Carefully remove the contents from the outer cardboard shipping container, taking care not to damage the packaging in case you need to re-use it in the future. You should find a black canvas carry case containing your new F-Machine inside. Unzip the bag fully and layout the contents carefully on a flat surface.

Assembling the legs

Take both the curved legs (note that they are handed) and assemble them to the central T-piece leg, using the large countersunk screws (2) provided. Tighten until there is no movement between the pieces (see figure 2).

Place the F-Machine leg assembly on a firm flat surface before moving to the next stage.

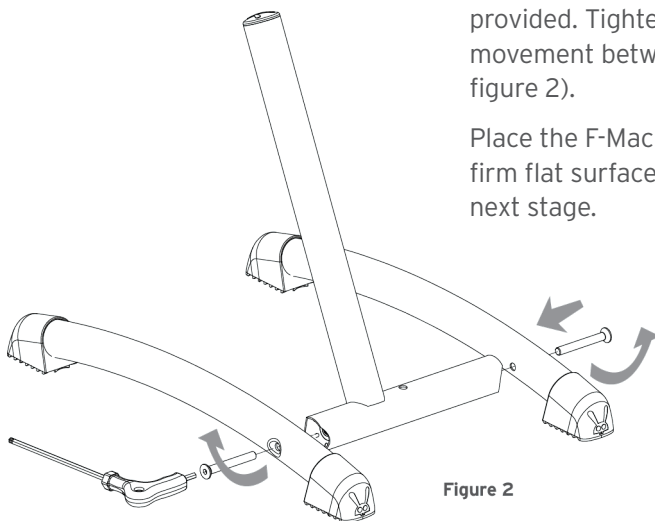


Figure 2

Assembling the head unit to the legs

First, loosen the quick release lever on the leg clamp and then slide the head unit onto the vertical leg (see figure 3.1).

Once the head unit is at the desired position, re-tighten the quick release lever.

Before closing the lever, you may have to rotate it (clockwise to tighten, anti-clockwise to loosen) to ensure the perfect grip on the leg by the plastic clamp. Firm resistance should be felt when closing the lever. Once tightened, you should not be able to move the head unit.

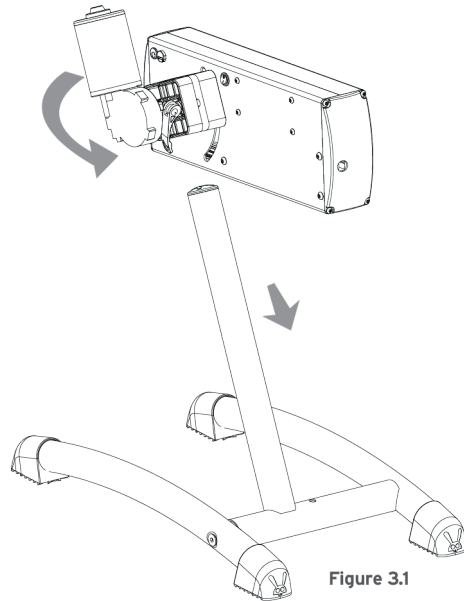


Figure 3.1

Adjusting the height and angle of the head unit

The quick release lever controls both the desired height and the angle of the head unit.

Simply loosen the lever slightly to adjust the existing height and/or the angle. Make sure the lever is fully tightened after each adjustment. Support the head unit with one hand when loosening the clamp to prevent it dropping beyond the desired position (see figure 3.2).

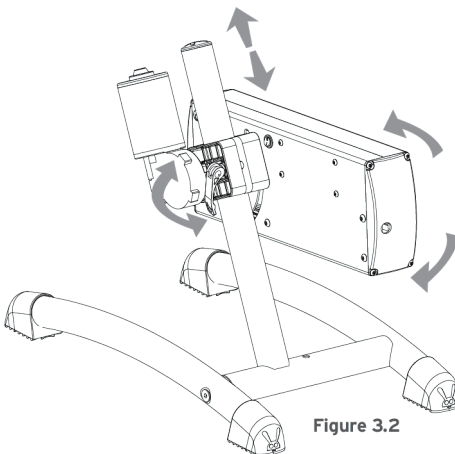


Figure 3.2

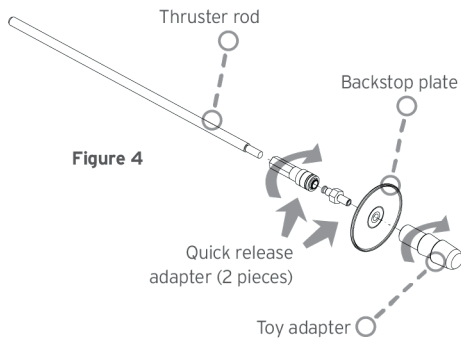


Figure 4

Assembly of the thruster rod

Take the backstop plate and slide it over the threaded end of the thruster rod. Next, take the toy adapter and screw it onto the end of the thruster rod, until it is tight.

Depending on your preference, you can also use the quick release adapter between the backstop and the thruster rod for quick changing of the toy attachments (figure 4). You can purchase additional quick release adapters and other attachments from F-Machine.com or your nearest retailer.

Note: It is advised to use the backstop plate with shorter toys, or toys without a flared base, to limit insertion depth.

Insertion of the thruster rod assembly into the F-Machine

Slide the thruster rod assembly through the hole in the front of the head unit until it is fully engaged in the slider block. Next insert the long end of the 5mm hex tool through the slot in the window and tighten the screw (clockwise) to securely fasten the thruster rod into the slider block (figure 5.1). Check that the thruster rod is secure by trying to rotate it by hand - it should not be possible to move it.

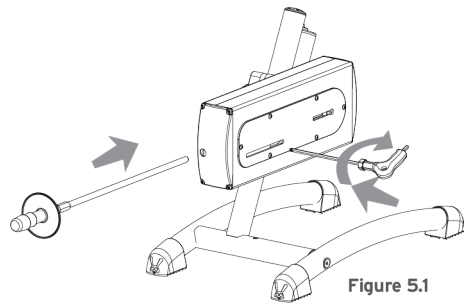


Figure 5.1



WARNING! To remove the thruster rod, only undo the retention screw by about 1/2 a turn anti-clockwise. Do not unscrew the joint any further. Never run the machine without the thruster rod secured in place. Doing so may result in damage to the internal mechanism.

Adjusting the stroke of the thruster rod

The Gigolo has a thruster rod stroke that is adjustable from one to four inches. To adjust the stroke, you must carry out the following procedure.

First make sure the thruster rod is firmly secured to the slider block (see previous instruction).

Next insert the long end of the 5mm hex tool through the hole in the window in front of the crank. The tool should engage with the hexagonal key in the middle of the crank arm (figure 5.2).

Rotate the hex tool in the appropriate direction so that the crank arm now points forward in line with the slot in the window (figure 5.3).

Reposition the tool into the other hexagonal bolt on the crank (on the end of the connecting rod). With one hand on the thruster rod, turn the hex tool about half a turn anti-clockwise to loosen the connecting rod bolt. You should now be able to adjust the stroke of the crank (it helps to push and pull on the thruster rod). Once you have set the desired stroke, simply tighten the connecting rod bolt firmly with a clockwise motion of the hex tool (figure 5.4).

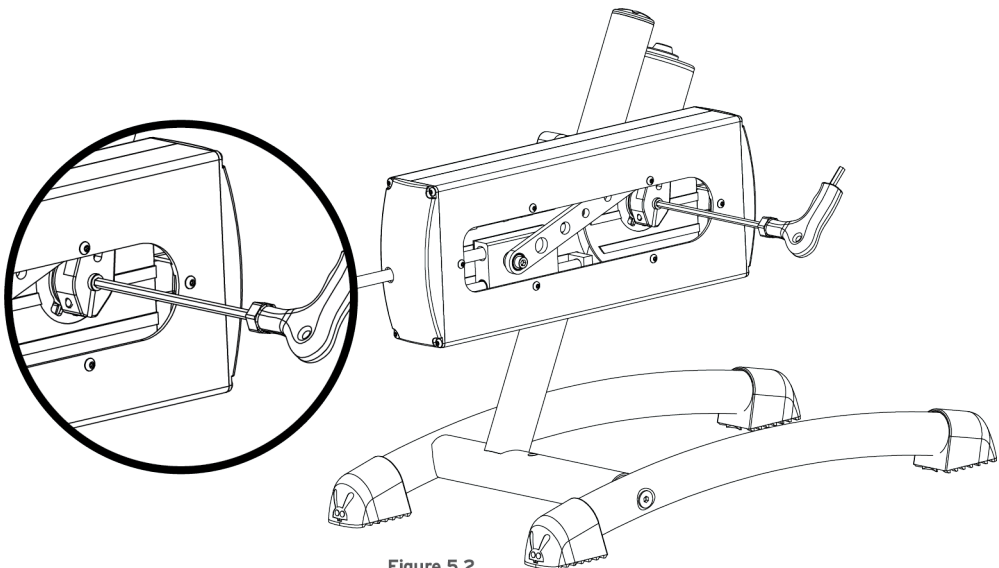


Figure 5.2

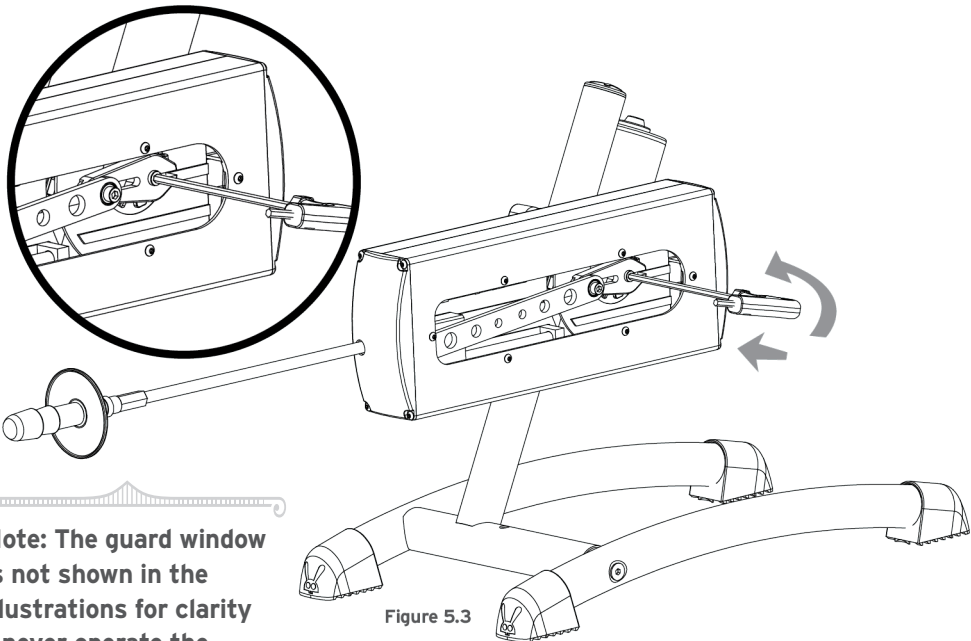


Figure 5.3

Note: The guard window is not shown in the illustrations for clarity - never operate the machine without the window installed.

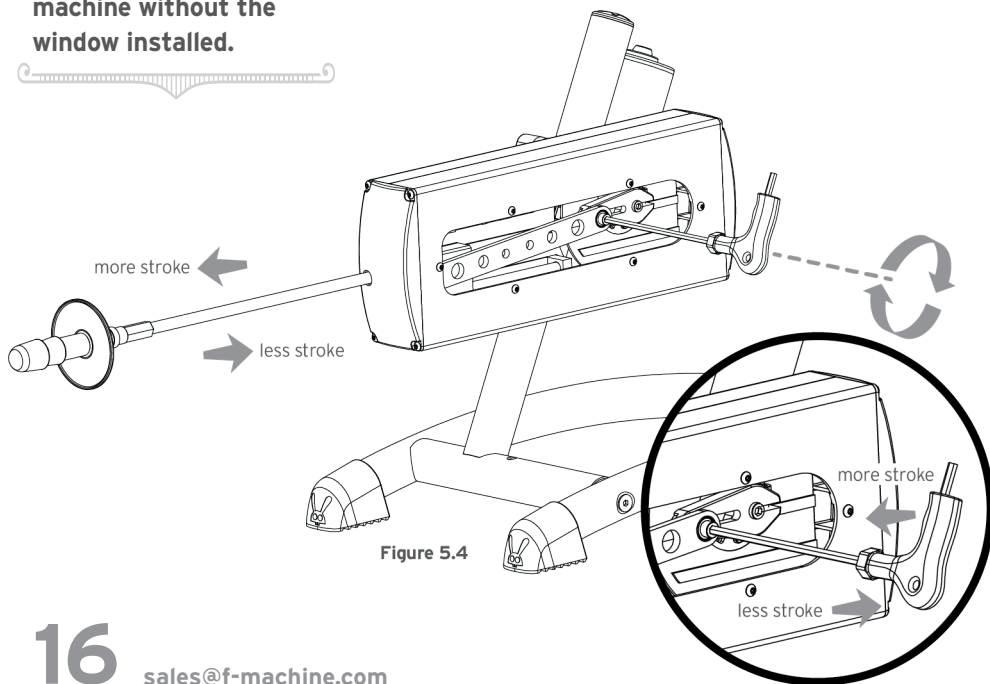


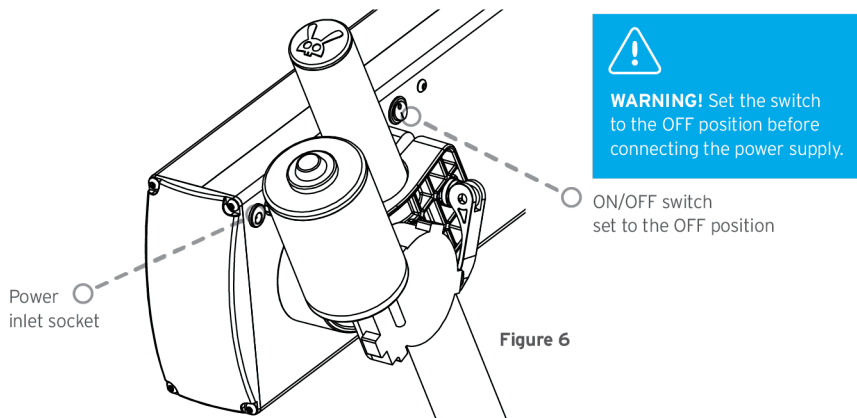
Figure 5.4

Connecting the power supply to the F-Machine

Before connecting the power supply to the F-Machine, first check that the switch on the rear of the head unit is in the OFF position. You can now install the 90 degree co-axial connector from the power supply into the power inlet socket on the rear of the head unit. Next, plug the supplied mains cable into the power supply block and connect it to a mains power socket. Turn on the

power socket (where appropriate) and the blue LED indicator on the power supply block should light up, indicating power is connected.

Finally, the ON/OFF switch on the head unit can be turned ON and blue internal LEDs inside the head unit window should light up, indicating the F-Machine is now live.



Power supply information

The F-Machine power supply is a universal 110 - 240 volt unit that will adapt to the mains voltage of your country. There is no need to make any adjustment. The F-Machine power supply should be supplied with a region specific mains power lead (IEC 60320-1 C13). There may also be an earthed mains adapter to cover different regions. If you reside outside of these regions, you may have to obtain an earthed IEC 60320-1 C13 cable (main power lead) for your country which you can plug into the F-Machine power supply. These are commonly found on personal computers and other similar equipment. The alternative is to use an earthed adapter plug suitable for your region.



WARNING! Always ensure that the F-Machine is connected to an electrical outlet that has an earth connection and is protected by a miniature circuit breaker (MCB), and a residual current device (RCD) circuit which reduces the risk of electric shock.



WARNING! Never attempt to adjust anything on the F-Machine whilst it is operating/moving. Always disconnect from the mains power socket before making any adjustments or carrying out any maintenance.

Set the switch to the OFF position before connecting the power supply.

Operating the F-Machine with the supplied remote control

The remote control has 3 buttons and an LED indicator (see figure 7).

- Start/Stop
- Increase Speed
- Decrease Speed

Before operation, fit the type 23A (MN21) battery provided into the rear of the remote and replace the cover. Press one of the buttons and the LED should light indicating correct battery installation.

If the machine has just been powered on, the default starting speed will be zero RPM. Press the Increase Speed button a few times and then press the START/STOP button. The machine should start to thrust slowly.

The speed of the machine can now be increased or decreased by further pressing the Increase or Decrease Speed buttons. Once the machine is operating at the desired speed, it can be stopped by pressing the START/STOP button. By pressing the START/

STOP button again, the machine will restart at the same speed as before. However, if the machine is powered off or disconnected from the mains, the default starting speed will be zero RPM once again.

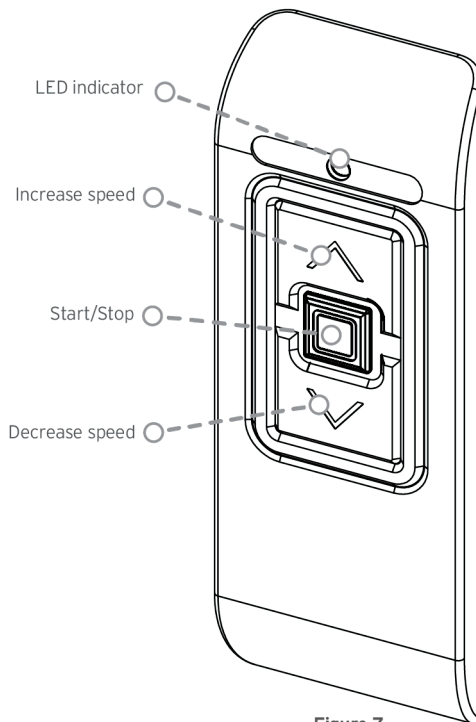


Figure 7

Remote battery

The F-Machine remote takes a 12 volt, type 23A (also known as an A23 or MN21) battery. These are commonly available in your local hardware store or with most online retailers.

Note: If the battery voltage is LOW, then it is possible the red LED will light but the signal is not strong enough to activate the machine. If the LED lights but the machine fails to operate, replace the battery.

Stall Safety Function

The F-Machine electronics have been designed to cut out if the motor is stalled or overloaded for any reason. In the event that this happens, the motor should stop and the red stall indicator LED on the internal PCB should light up. To remedy this, switch off the machine at the power socket and inspect the mechanism for any reason that might have caused the issue. Remove any foreign objects that may be caught in the mechanism before carefully re-starting the machine. The red stall LED should go out if the problem is corrected.

Note: The machine can stall for a number of reasons, including that there is too much resistance applied to the end of the thruster rod. This is less likely to occur if you decrease the thrust stroke setting to a smaller displacement, which will reduce the load on the motor and electronics.



SAFETY WARNING: If the machine is operated for extended periods and/or at high speed and loads the motor will become HOT. This is within the design capability of the motor. However, care must be taken to not touch the motor surface to avoid scalding. Observe and follow the safety labels on your F-Machine. Do not cover the motor or allow it to come into contact with anything. Never leave the F-Machine running or connected to the mains power when it is unattended.



WARNING! Always disconnect the F-Machine from the power source before making any repairs or adjustments. Repairs should only be carried out by competent qualified persons. Only use genuine F-Machine replacement parts - contact F-Machine or your retailer for assistance.



Operating with the F-Machine Connect Bluetooth App

The F-Machine comes with Bluetooth capability and you can download the free 'F-Machine Connect' App to your iPhone or Android mobile device.

Download the App from the App Store (iPhone) or Play Store (Android) in the usual fashion and follow the installation instructions.

The App is designed to emulate the appearance of the physical remote control unit that is supplied with the product. See the previous notes on how to use it.

The App should list all switched on machines available for connection. Select your machine from the list and it should connect automatically. The 'Bluetooth Connection' LED on the internal PCB should light up. Once your machine is paired to the App, the remote control that came with your product will stop responding, until the App is closed or disconnected.

From time-to-time we may update the App with new features, so please check the store periodically.



Figure 8

Note: Ensure that Bluetooth is enabled on your device to allow the App to connect to the F-Machine.



Fault Finding Procedures

Sequential checklist - carry out in following order	What to expect under normal conditions
<p>1. Is the power supply working correctly?</p>	<ul style="list-style-type: none"> • The blue LED on power supply should light up when switched on • No signs of visible damage to cables or connectors • Mains cable should be fully pushed into power supply • Output voltage should be ~24Vdc (use voltmeter)
<p>2. Is the head unit working?</p>	<ul style="list-style-type: none"> • The blue operational LEDs on the internal PCB should light (look through window) • Crank arm should visibly 'kick' when switched on (look through window) • Crank arm should rotate anti-clockwise when viewed from front • Red stall indicator LED on the internal PCB should NOT light up (look through window)
<p>3. Is the remote control handset working?</p>	<ul style="list-style-type: none"> • The red LED indicator on the remote should light when a button is pushed • Note: a low battery (< 11V dc) may not give sufficient signal strength to activate the machine but the red LED may still light
<p>4. Does the remote handset control the motor speed function?</p>	<ul style="list-style-type: none"> • The increase/decrease speed buttons should control the motor speed over the full speed range (0 to ~220 rpm) • If the Bluetooth App is paired to the machine, the remote control will not respond until the App is disconnected or closed
<p>5. Is the F-Machine abnormally noisy?</p>	<ul style="list-style-type: none"> • Under normal operation, the head unit should be quiet, with slightly increasing noise expected at higher speeds and stroke. This is because the motor and mechanism are having to work harder. • Using larger/heavier toy attachments is likely to increase any noise emanating from the machine, especially if the toy is unsupported whilst it is moving.

Please work through the above fault finding guide to identify the issue. If you need to contact F-Machine, please **send a detailed video via email** to highlight the specific issue. Please do not send verbose emails without including images or video of the issue.

For replacement remotes, you will need to provide the remote code (G1 or G2) shown on the reverse of the remote, or on the sticker visible inside the window





Checks to perform	Possible causes/resolutions
<ul style="list-style-type: none"> • Check wall socket working (with another appliance) • Check plug, fuse (if applicable), swap mains power cable if needed • Check/swap travel adapter (if using one) • Check wires between power supply and the head unit for damage and replace if needed 	<ul style="list-style-type: none"> • If still not working, replace the power supply with a genuine part • Contact F-Machine
<ul style="list-style-type: none"> • Check the 90 degree power connector is fully inserted into the head unit • Check switch on the head unit set to ON position • Check nothing is visibly jamming the thruster rod • Check nothing is visibly jamming the internal mechanism (look through window) 	<ul style="list-style-type: none"> • No blue operational LEDs - loose internal connection or PCB failure • Crank arm does not 'kick' - loose internal connection or PCB failure • Red stall LED lights - jammed mechanism or faulty PCB • Contact F-Machine
<ul style="list-style-type: none"> • Check battery fitted OK/correct polarity (the spring is negative) • Measure the battery voltage with a voltmeter if you have one (~12V dc) 	<ul style="list-style-type: none"> • Replace the battery with a quality brand (type MN21/A23) • If the LED indicator still does not light up, replace the remote • You will need to establish which remote code you have (G1 or G2) • The remote code is shown on the back of the remote or on the sticker inside the window • Contact F-Machine
<ul style="list-style-type: none"> • Observe the crank speed through the window • Check for visible damage to the remote (replace if damaged) • Alternative - check the functions with the Bluetooth App 	<ul style="list-style-type: none"> • No response - low battery voltage in remote control, replace battery. Possible mis-matched remote code for the machine - check the code on back of remote matches the remote code sticker inside the window • If Bluetooth App works, but remote does not, replace the remote control • Erratic speed control, or runs at full speed without control - probable PCB failure - contact F-Machine • Runs, but cannot achieve full speed - possible PCB failure or jammed/faulty mechanism - contact F-Machine
<ul style="list-style-type: none"> • Disconnect the product from the power source and check all the nuts, bolts and connections are tight as per the set up instructions laid out earlier in this manual, before re-testing. 	<ul style="list-style-type: none"> • Noises persist after external checks - seek advice from qualified repair person to inspect/adjust/repair the internal mechanism or contact F-Machine. • Only use qualified repair personnel and only use genuine replacement parts.

Additional Information

Service and repair

Have your F-Machine serviced by a qualified repair person using only genuine replacement parts. This will ensure the safety of the F-Machine is maintained.

Never attempt to service or modify items such as the power supply or electronics which are unserviceable and could expose you to mains voltages. Modification to the electronics may affect the safe operation of the F-Machine and should not be attempted under any circumstances.

Technical specification

Product model:	F-Machine Gigolo
Power supply model:	PS-05
Power supply rated voltage:	110-240 V a.c. 50/60 Hz
Motor voltage:	24 V d.c.
Motor type:	Brushed DC gear motor
Motor no load speed (n ₀):	240rpm
Packaging dimensions:	58 x 30.5 x 28 cm
Gross weight:	9 Kg
Thruster rod screw thread:	M8 x 1.25
Remote control battery:	12V MN21 battery

Transportation and storage

The F-Machine comes complete with a re-usable storage bag to keep your product neatly and discreetly packed away and out of sight of prying eyes. Always clean and inspect your F-Machine prior to packing and storing it for longer periods. Ensure that all components, attachments and toys are dry before placing them back into the storage case in the same configuration that they arrived in, in order to preserve your F-Machine in the best possible condition.

Recycling and disposal



Waste and end-of-life electrical products should not be disposed of with your household refuse. Please use recycling facilities where they exist. Check with your local authority or consult your retailer for recycling advice.

Limited Warranty

This product carries a limited warranty of 12 months starting from the day of purchase. Please retain your original receipt, which will be required as proof. The warranty excludes commercial use.

Refer to regional website for regional specific warranty.

This warranty specifically excludes losses due to:

- Normal wear and tear including accessory wear
- Overload, misuse or neglect
- Failure of consumable items (such as batteries)
- Repairs attempted by anyone other than an authorised agent or competent qualified persons

- Any modification of the product away from the original specification
- Accidental damage caused by foreign objects or substances/liquids
- Failure to follow manufacturer's guidelines
- Transport damage
- Due to continuous product improvement, we reserve the right to change the product specification without prior notice.

This warranty does not affect your statutory rights. For further inquiries relating to the warranty please contact F-Machine or your retailer.

Declaration of Conformity



We,

F-Machine, Unit 860, 26 The Hornet, Chichester, West Sussex PO19 7BB,
United Kingdom

Hereby declare that the equipment mentioned hereafter:

Equipment: Massage machine

Model Number: F-Machine Gigolo

Serial Numbers: FMG- , PSO5

Complies with the essential health and safety requirements of the following directives:

2014/35/EU - Low Voltage Directive (LVD)

References to the following harmonised standards were made:

EN62368-1:2014+A11:2017

2014/30/EU - Electromagnetic Compatibility (EMC)

References to the following harmonised standards were made:

EN55032:2015, EN55035:2017, EN61000-3-2:2019, EN61000-3-3:2013+A1:2019

ETSI EN 301 489-1 V2.2.3 (2019-11), ETSI EN 301 489-3 V2.1.1 (2019-03)

ETSI EN 301 489-17 V3.2.4 (2020-09)

2014/53/EU - Radio Equipment Directive (RED)

References to the following harmonised standards were made:

ETSI EN 300 220-1 V3.1.1 (2017-02), ETSI EN 300 220-2 V3.2.1 (2018-06)

ETSI EN 300 328 V2.2.0 (2019-07), EN 62479:2010, EN 50663:2017

Authorised signatory and technical file holder:

F-Machine, Unit 860, 26 The Hornet, Chichester, West Sussex PO19 7BB,
United Kingdom.

On: 14/07/2023

John Lawrence, Quality Director

26 sales@f-machine.com

Disclaimer

F-Machine is a FUN-Machine designed for fun use. Where that fun takes you is entirely up to you and entirely at your own risk. We at F-Machine accept no liability or responsibility whatsoever for injury or death caused as a result of the use of the F-Machine. As already stated in this manual, the F-Machine is very powerful and great care **MUST** be taken at all times when using it. If for any reason you are not happy with the F-Machine, then please return it unused in its original packaging within 14 days & you will be issued with a full refund.

US Market - FCC ID Information

Remote Control (all models)

FCC ID: 2AN4K-REMOTE-1

Bluetooth Interface (Bluetooth model)

FCC ID: 2AN4K-BT-1

This device complies with part 15 of the FCC Rules. Operation is subject to the following two conditions:

1. This device may not cause harmful interference, and
2. this device must accept any interference received, including interference that may cause undesired operation.



For online manuals, see
www.f-machine.com/manuals

Should you have any issues with your F-Machine or require spare parts, please contact your nearest F-Machine retailer or email us directly at sales@f-machine.com

Copyright © F-Machine 2023

